

PULSE GENERATOR SERIES 0452 ECL 10K

TECHNICAL INFORMATION

TEST CONDITIONS

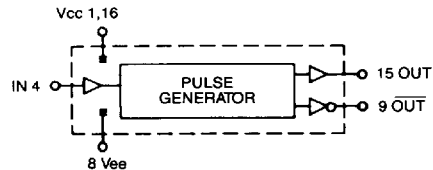
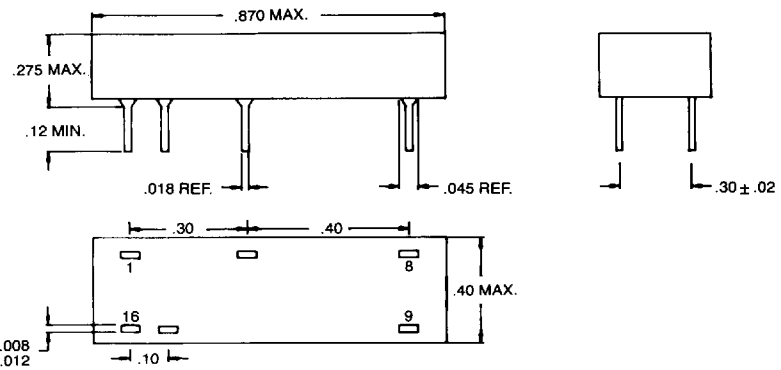
Logic 1	- 0.9 Volts
Logic 0	- 1.8 Volts
Rise Time	2.0 Nsec (20% to 80%)
Pulse Width	5 Nsec
Pulse Period	4 x Output Pulse Width
Supply Voltage, Vee	- 5.2 Volts
Output Terminations	50 Ohm
	± 1% to - 2 Volts
Ambient Temperature	25°C

PERFORMANCE CHARACTERISTICS

Pulse Width Tolerances
As Specified in Table
Performance Characteristics apply at
above listed Test Conditions.

ELECTRICAL CHARACTERISTICS

Supply Voltage, Vee	- 4.94 To - 5.46 Volts
Logic 1 Input Voltage	- 0.98 Volts min.
Logic 1 Input Current	265 Microamp max.
Logic 1 Output Voltage	- 0.96 Volts min.
Logic 0 Input Voltage	- 1.63 Volts max.
Logic 0 Input Current	.50 Microamp min.
Logic 0 Output Voltage	- 1.65 Volts max.
Operating Temperature Range	- 30°C To 85°C
Temperature Coefficient Of Output Pulse Width	300PPM/°C Typical
	- Compatible with ECL 10K circuits
	- Other pulse widths and tolerances upon request



Part Number	Pulse Width (NS) 1	Maximum Pulse Rate (MHZ)
0452-0005-01	5 ± 1	76
0452-0006-01	6 ± 1	66
0452-0007-01	7 ± 1	56
0452-0008-01	8 ± 1	50
0452-0009-01	9 ± 1	45
0452-0010-01	10 ± 1	42
0452-0015-01	15 ± 1	30
0452-0020-01	20 ± 1	23
0452-0025-01	25 ± 1	18
0452-0030-01	30 ± 1	15
0452-0035-01	35 ± 1.5	13
0452-0040-01	40 ± 1.5	11
0452-0045-01	45 ± 1.5	10
0452-0050-01	50 ± 1.5	9
0452-0060-01	60 ± 1.5	8
0452-0070-01	70 ± 2.0	7
0452-0080-01	80 ± 2.0	6
0452-0090-01	90 ± 3.0	5
0452-0100-01	100 ± 3.0	4

1 Measured at 50% level.

Specifications Subject To Change Without Notice